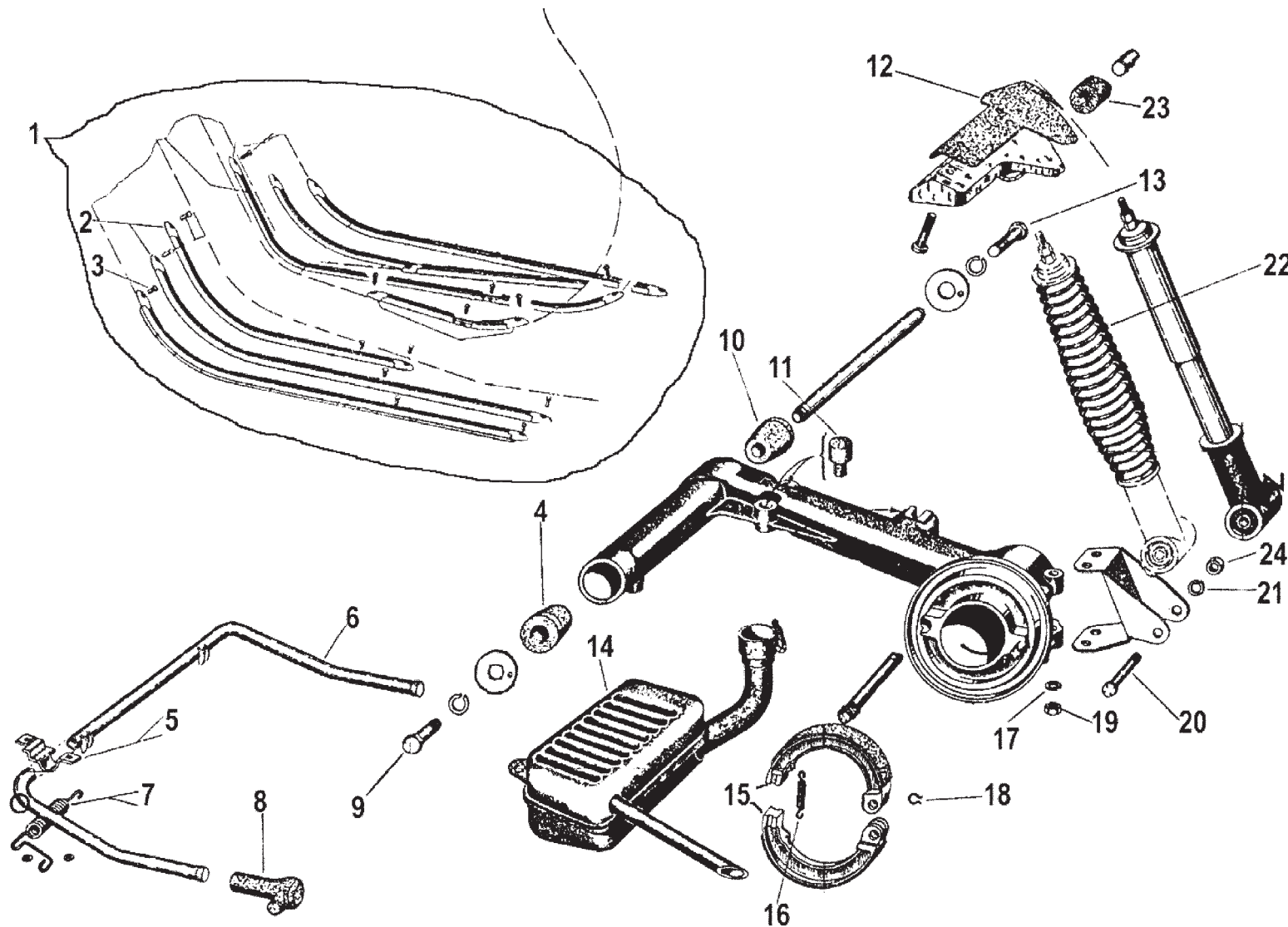


# VESPA 150 FAHRGESTELL



- |    |   |
|----|---|
| 1  | 220053, 220055,<br>220056, 220057,<br>220058, 220059,<br>220060, 220062 |
| 2  | 220043, 220044<br>220045, 220046,<br>220049                             |
| 3  | 220065, 220066  |
| 4  | 515173, 515174  |
| 5  | 130017, 130018  |
| 6  | 130023, 130024<br>130025, 130028  |
| 7  | 130002  |
| 8  | 515015  |
| 9  | 525220  |
| 10 | 515173, 515174  |
| 11 | 515108  |
| 12 | 515164, 515165  |
| 13 | 525220  |
| 14 | 425010  |
| 15 | 405139  |
| 16 | 525078  |
| 17 | 525227  |
| 18 | 525167  |
| 19 | 525004  |
| 20 | 525194  |
| 21 | 525227  |
| 22 | 200089  |
| 23 | 515191, 515192  |
| 24 | 525004  |

Informationen zu den Teilen findet Ihr unten den angegebenen Artikelnummern in unseren Katalogen und in unserem Online Shop.